



18 E *

Self-propelled crane with ground operator



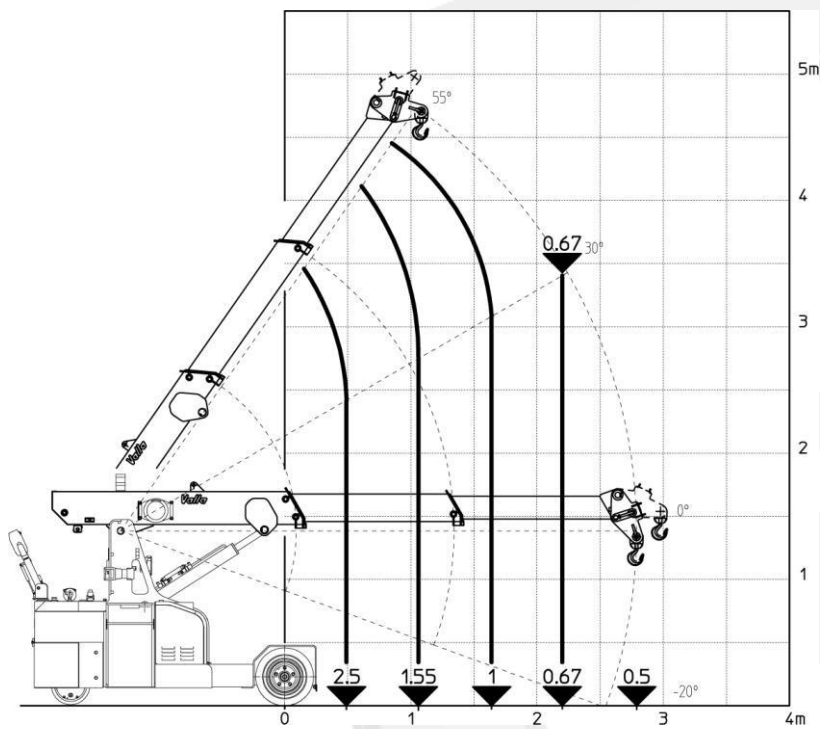
FEATURES

MAX CAPACITY 1.800 kg
MAX BOOM EXTENSION 2,8 m
MAX BOOM ANGLE 55°
MIN BOOM ANGLE -20°
WEIGHT 2.000 kg
CONFORMITY 2006/42 CE; 2014/30 CE;
 2014/35 CE; 2000/14 CE; EN 13000

* 300 mm shortened wheelbase

CHASSIS	3 wheels structure made in high quality steel, with internal counterweights
WHEELS	Front: n°2 superelastic wheels 18x7 – R8” Rear: n°1 cushion wheel 300x135
TRACTION	Rear traction with electric motor AC – 3 kW controlled by inverter
HYDRAULIC SYSTEM	Powered by electric motor AC – 4 kW (5 kW with hydraulic winch)
BRAKES	On real wheel by electro brake
STEERING	Rear by steering helm with 180° rotation powered by electric steering motor AC -700W, controlled by inverter. Complete with safety device on backward.
BOOM	Manufactured in high quality steel, composed by three elements: main boom and two telescopic hydraulic sections with two positions tilting head
POWER SUPPLY	Electric
BATTERY	48V - 200 Ah
BOOM'S CONTROL	By wired remote control
DRIVE CONTROL	By steering helm
SAFETY SYSTEM	Electronic load moment indicator (LMI) with display for load, boom's position and boom's angle control
OPTIONALS	Hydraulic winch, manual Jib, radio remote control, non marking wheels, battery watering system, on board battery charger, carry deck, front wheels electro brakes

All specifications are subject to change. Consult Valla for latest specifications



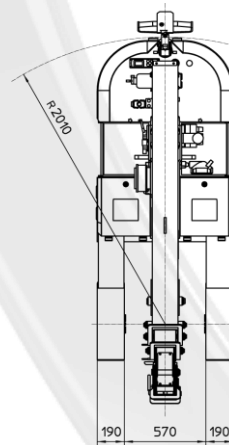
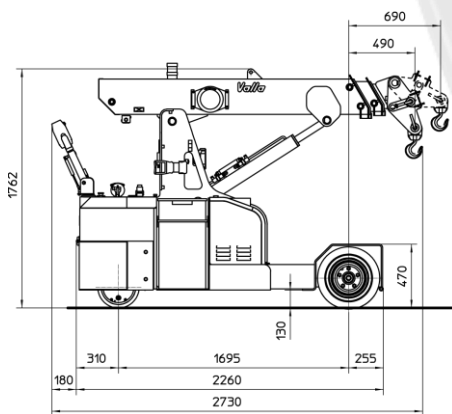
Wired remote control for the aerial part



Fully hydraulic telescopic boom



180° steering helm powered by electric motor with 180° rotation for maximum manoeuvrability



Valla
MANITEX

VALLA MANITEX SRL
Via Leonardo da Vinci 12
29016 - Cortemaggiore (PC) - ITALY



**SCHULER &
SCHULER AG**

HEBE- UND TRANSPORTTECHNIK

CH-6405 Immensee (SZ) contact@schuler-schuler.ch

Telefon +41 41 854 7000 Telefax +41 41 854 7001

www.schuler-schuler.ch