



160 SE

Carry-deck crane with 16.000 kg capacity



FEATURES

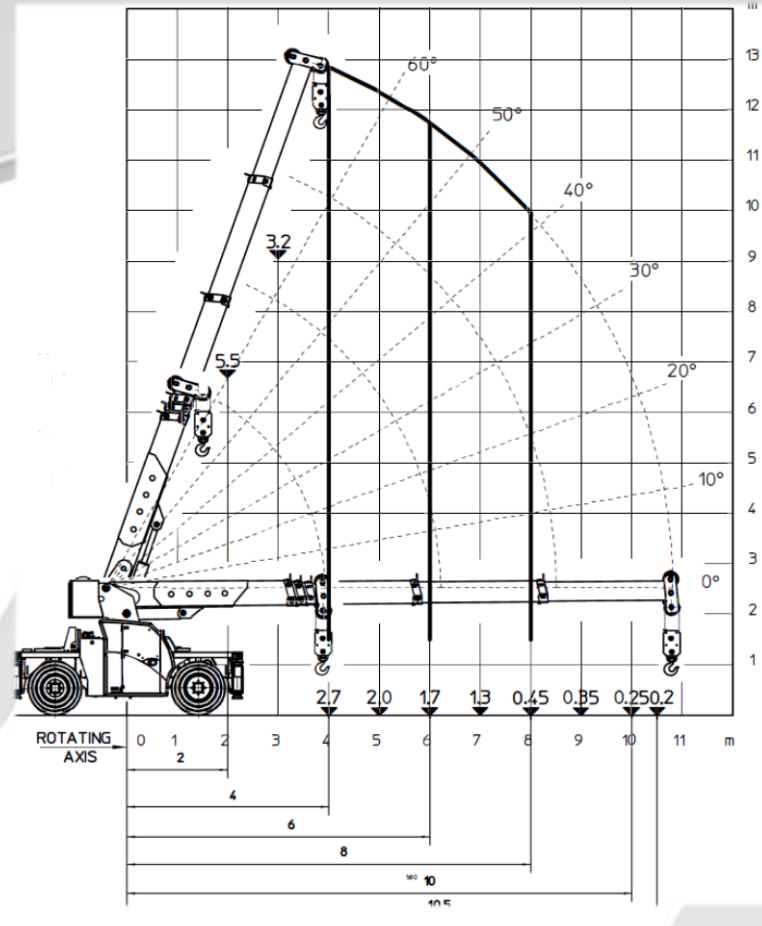
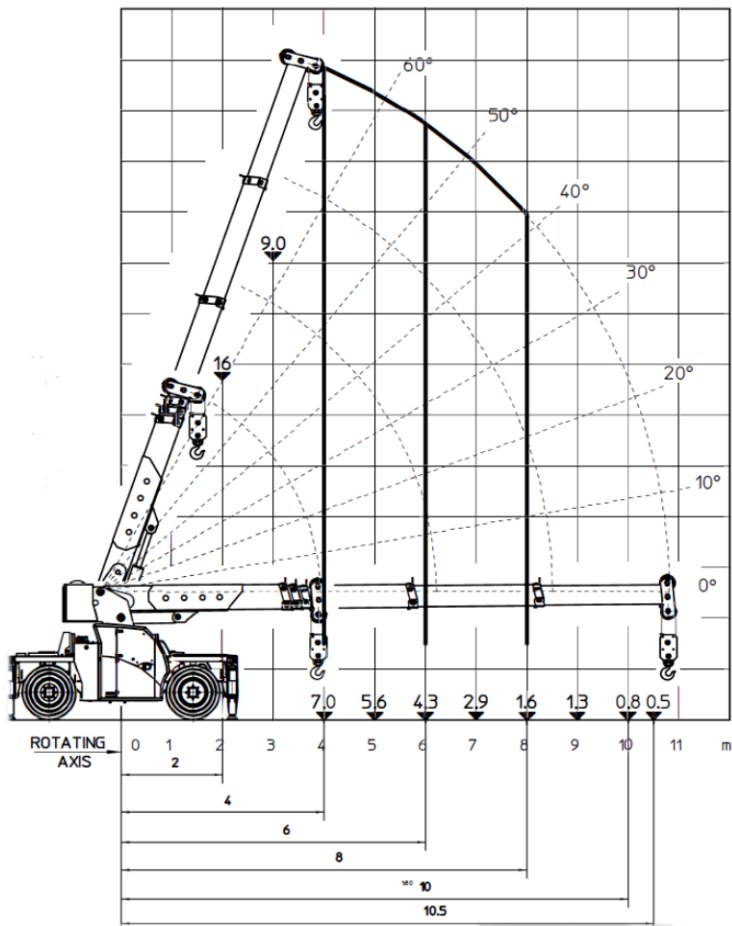
MAX CAPACITY 16.000 kg
MAX BOOM EXTENSION 10,5 m
MAX BOOM ANGLE 70°
MINIMUM BOOM ANGLE 0°
WEIGHT 16.200 kg
CONFORMITY 2006/42 CE; 2014/30 CE; 2014/35 CE; 2000/14 CE; EN 13000

CHASSIS	4 wheels, H shaped type structure made in high quality steel.
OPERATOR CABIN	Ergonomic compliance, wide glass surface, FOPS compliance (ISO 13000).
WHEELS	FRONT: n°2 pneumatic tyres 10.00 – R20" REAR: n°2 pneumatic tyres 10.00 – R20"
TRACTION	Permanent all wheels drive system, with n°2 electric motor 8kW AC.
SERVICE BRAKES	N°2 disc brakes in oil bath on front axle N°2 disc brakes in oil bath on rear axle
PARKING BRAKE	S.A.H.R disc brakes in oil bath on forward axle.
STEERING	Double steering axles with three different configurations: rear steering mode, crab steering mode, circle steering mode.
LIGHTS	Automotive headlamps and working light.
TURRET	360° slewing feature.
BOOM	Manufactured in high quality steel, made by four elements: main boom and three telescopic hydraulic sections, 16T hydraulic winch.
POWER SUPPLY	Full Electric.
BATTERY	1 Battery 96V 840Ah, weight 2,500 kg.
STABILIZATION	4 H-type outriggers installed on 4 independent H-type crossbars.
BOOM CONTROL	By CAN-bus joystick.
DRIVE CONTROL	By pedals and steering wheel.
SAFETY SYSTEM	Electronic load moment indicator (LMI) with display for load, boom's position and boom's angle control.
OPTIONALS	Manual flying jib, radio remote control (for boom, turret, winch), InTouch system®, self-lubricating system, bonding reel, airport lights, collision avoidance cameras, crossbars with three different areas available per side (0%, 50%, 100%), on board battery chargers.

•All specifications are subject to change. Consult Valla for latest specifications.

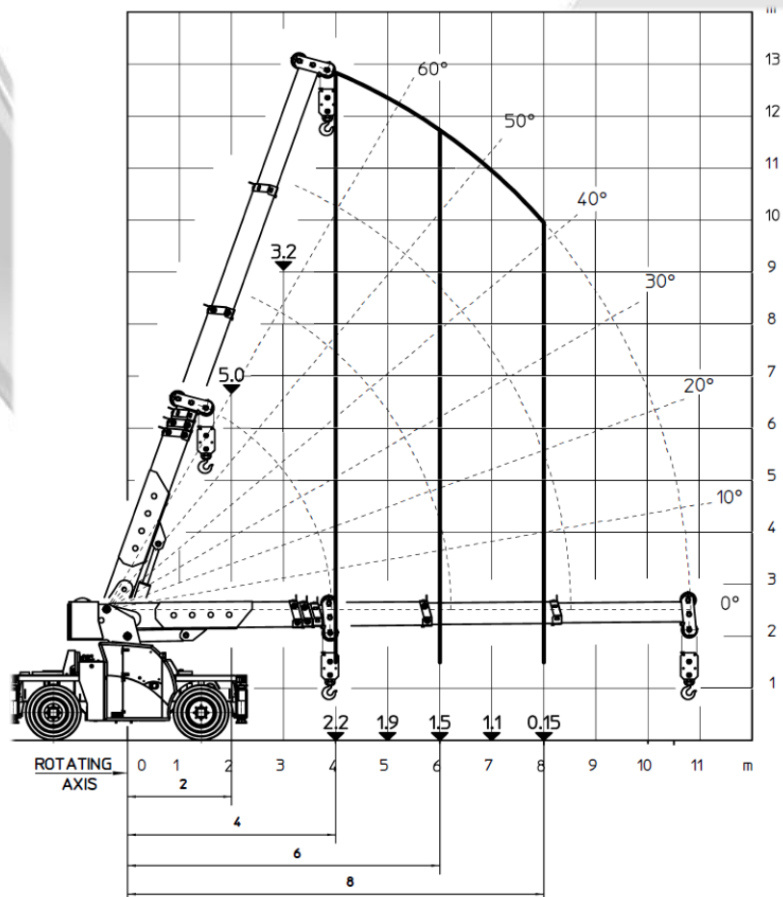
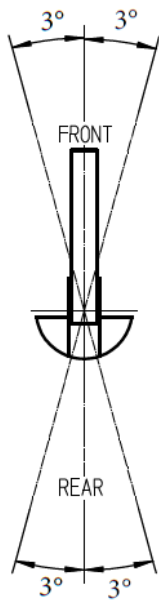
Front/Rear – on outriggers 0-50*-100%

Free on wheels

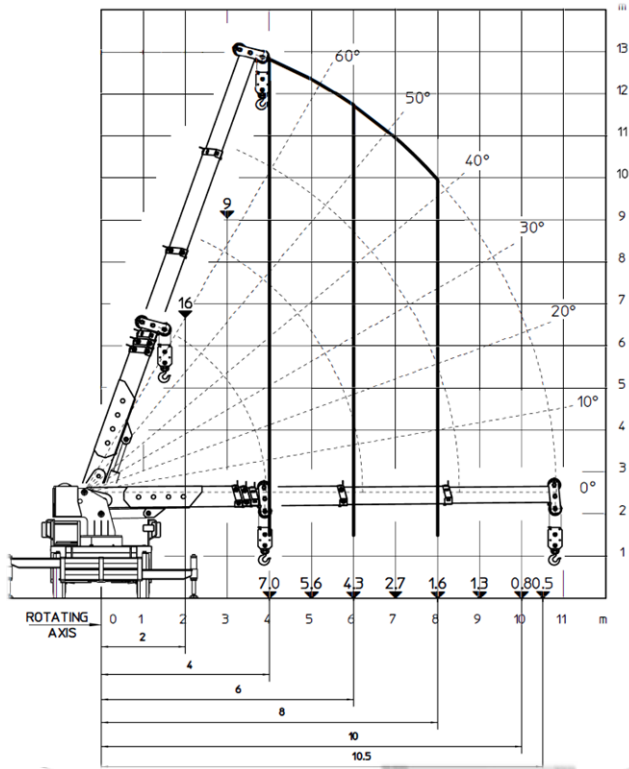


*extension 50% is an option

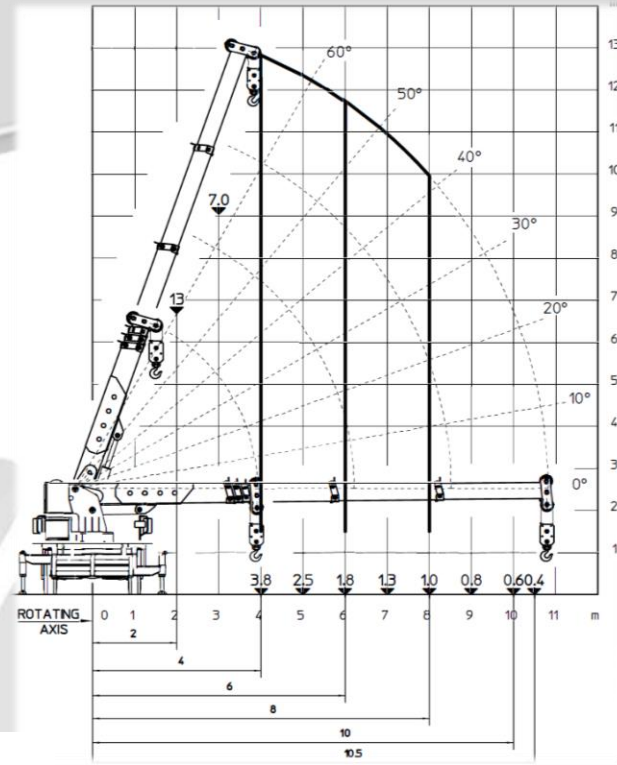
Pick & Carry – V < 3 km/h



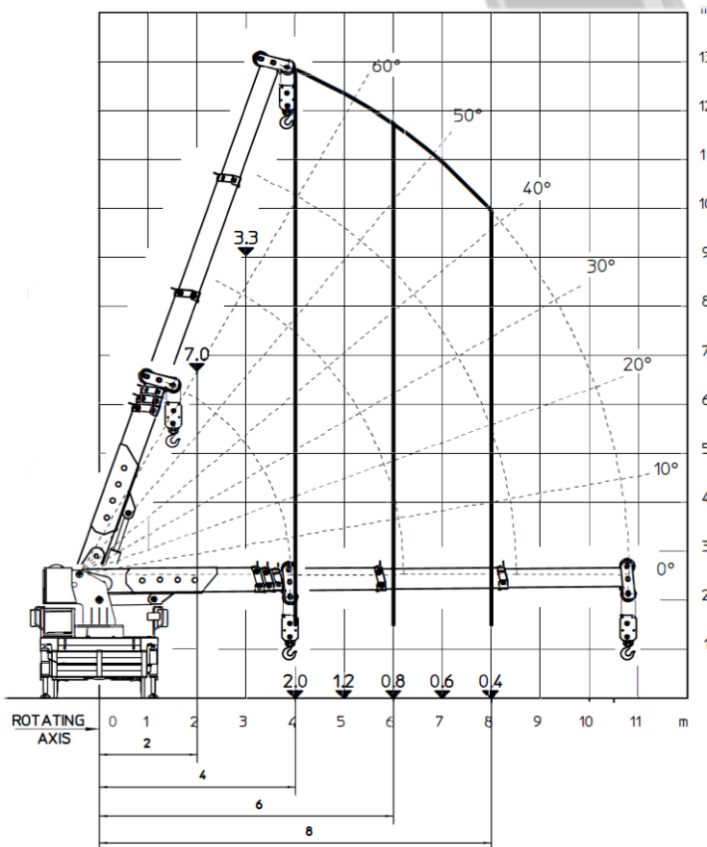
360° with outriggers at 100%



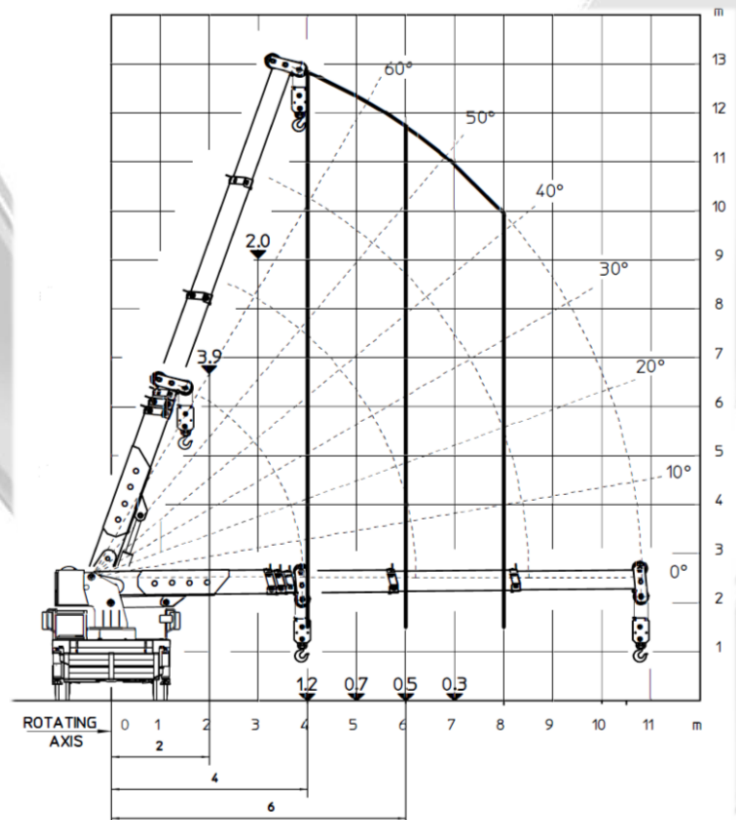
360° with outriggers at 50% (optional)



360° with outriggers at 0%



360° - on wheels

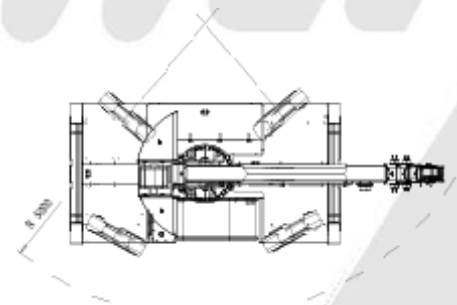
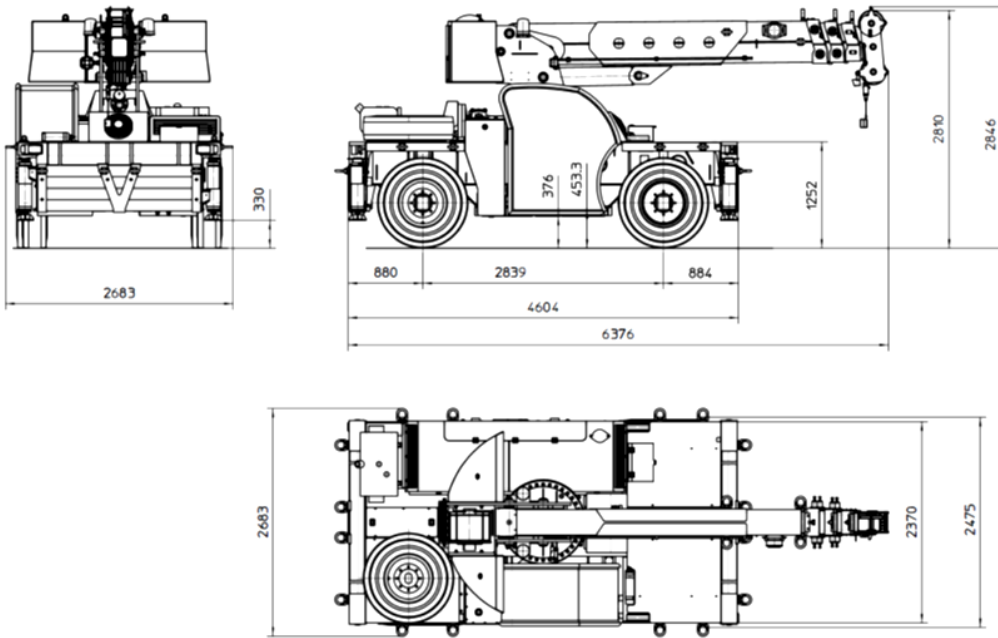




Ergonomic operator cabin



Independent crossbars and outriggers



Hydraulic winch 16T

Lashing points are considered as option.



VALLA MANITEX SRL
Via Leonardo da Vinci 12
29016 - Cortemaggiore (PC) - ITALY

PHONE: +39 0523 256411
EMAIL: info@valla.com
SITE: www.valla.com