

S2255RTE/S2755RTE

ELECTRIC NARROW ROUGH TERRAIN SCISSOR LIFTS



- Zero emission electric narrow rough terrain scissor lift with lithium-ion batteries
- Excellent rough terrain performance
- Easy to operate
- Roll-out deck extension for extra reach
- Ideal for outdoor work in confined spaces



snorkel[™]
www.snorkellifts.com

ELECTRIC NARROW ROUGH TERRAIN SCISSOR LIFTS

S2255RTE/ S2755RTE

DIMENSIONS	S2255RTE*	S2755RTE*
Max. working height	8.5m	10.1m
Max. platform height (A)	6.5m	8.1m
Platform size (stowed)	1.4m x 2.73m	1.4m x 2.73m
Platform size (extended)	1.4m x 3.93m	1.4m x 3.93m
Extension deck length	1.2m	1.2m
Overall width (B)	1.45m	1.45m
Overall length (C)	3.3m	3.3m
Stowed height (D)	2.35m	2.5m
Min. height (guardrails folded)	2.0m	2.13m
Ground clearance	260mm	260mm

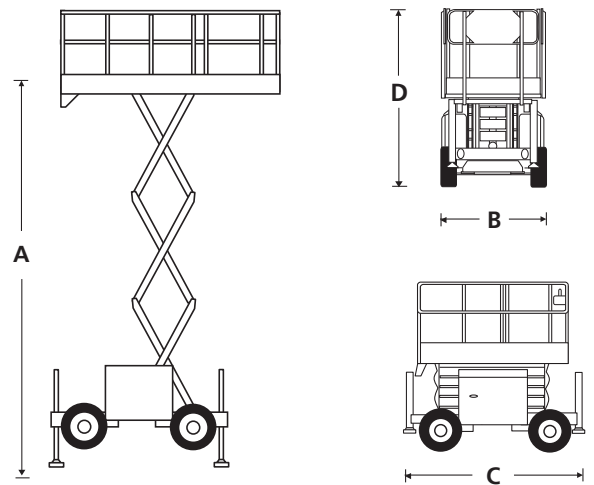
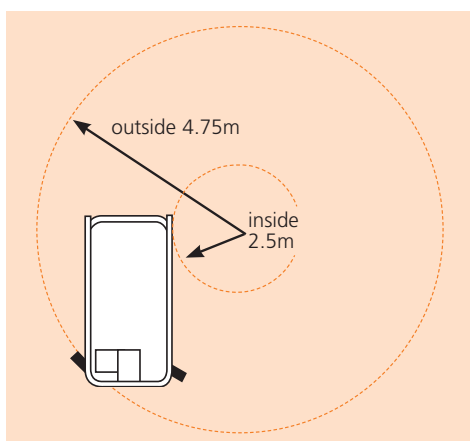
PERFORMANCE	S2255RTE*	S2755RTE*
Platform capacity (SWL)	420kg	300kg
Max. drive height	6.2m	7.8m
Max. wind speed	12.5m/s	12.5m/s
Max. drive speed (stowed)	5.2km/h	5.2km/h
Max. drive speed (elevated)	0.66km/h	0.5km/h
Raise/lower time	26/30 sec	26/30 sec
Gradeability	35%	35%
Max. outrigger levelling, front to rear	6°	6°
Max. outrigger levelling, side to side	10°	10°
Inside turning radius	2.5m	2.5m
Outside turning radius	4.75m	4.75m
Exit/entry angle	20°	20°
Tyres	0.58m x 0.22m - 12 non-marking	
Controls	proportional joystick	
Drive system	4-wheel drive	

POWER	S2255RTE*	S2755RTE*
Power source	11.5kWh Li-ion batteries with integrated BMS	
Operating temperature	(-) 25° C to (+) 60° C	
Charger	High frequency smart on-board 50A battery charger	

MOTOR	S2255RTE*	S2755RTE*
Motor	AC electric motor	

WEIGHT	S2255RTE*	S2755RTE*
Weight	2,410kg	2,750kg

TURNING RADIUS



STANDARD FEATURES

- Two lithium-ion battery systems 11.5kWh
- 4-wheel drive
- 4 hydraulic stabilizers with automatic levelling
- Roll-out deck extension
- Proportional controls
- Non-marking foam filled tyres
- Power line to platform
- Drive motion alarm
- Descent alarm
- Oscillating axle
- Manual lowering valve
- Flashing amber light
- Dual lanyard attachment points
- Hour meter
- 2000 charging cycles/2 year** lithium battery warranty
- 2 year parts & labour, 5 year structural warranty
- CE approved

OPTIONS

- Special paint colours
- Additional 5.75kWh battery system
- Nylon spreader pads (set of 4)
- Environmental hydraulic oil
- Snorkel OnSite™ telematics




SCHULER & SCHULER AG
 HEBE- UND TRANSPORTTECHNIK
 CH-6405 Immensee (SZ) contact@schuler-schuler.ch
 Telefon +41 41 854 7000 Telefax +41 41 854 7001
www.schuler-schuler.ch