



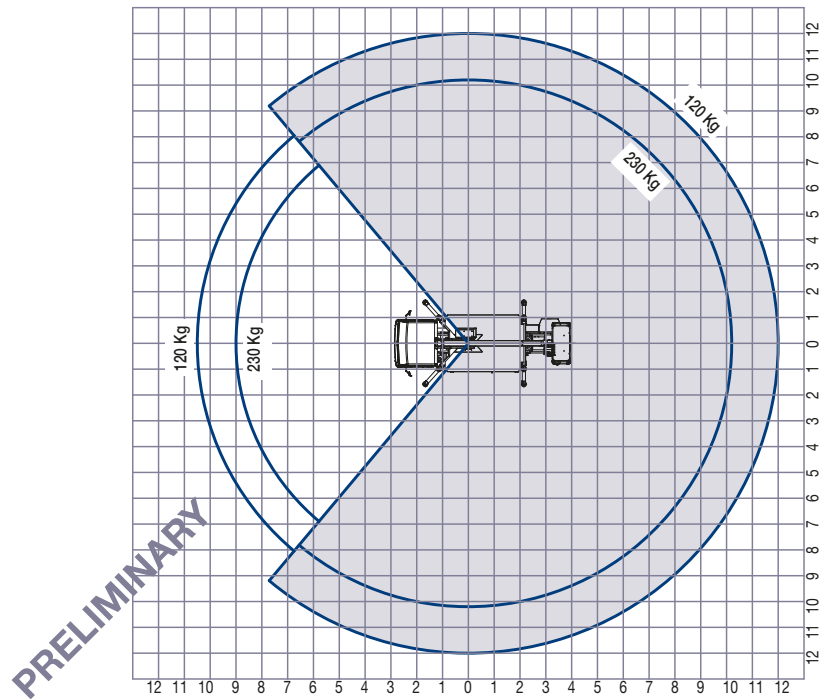
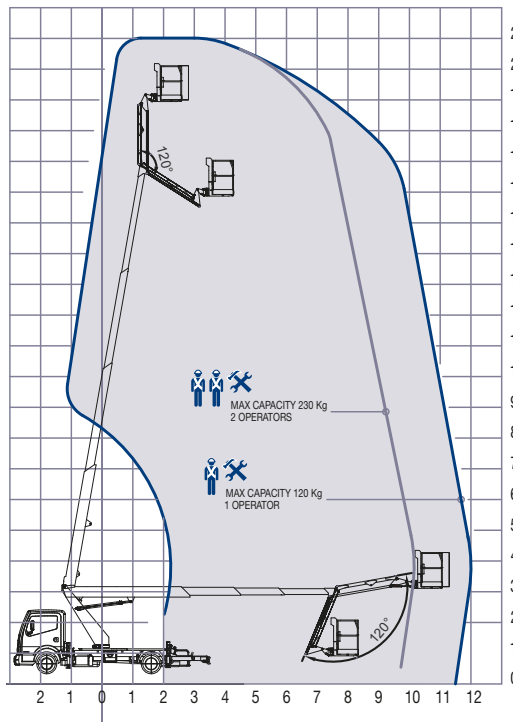
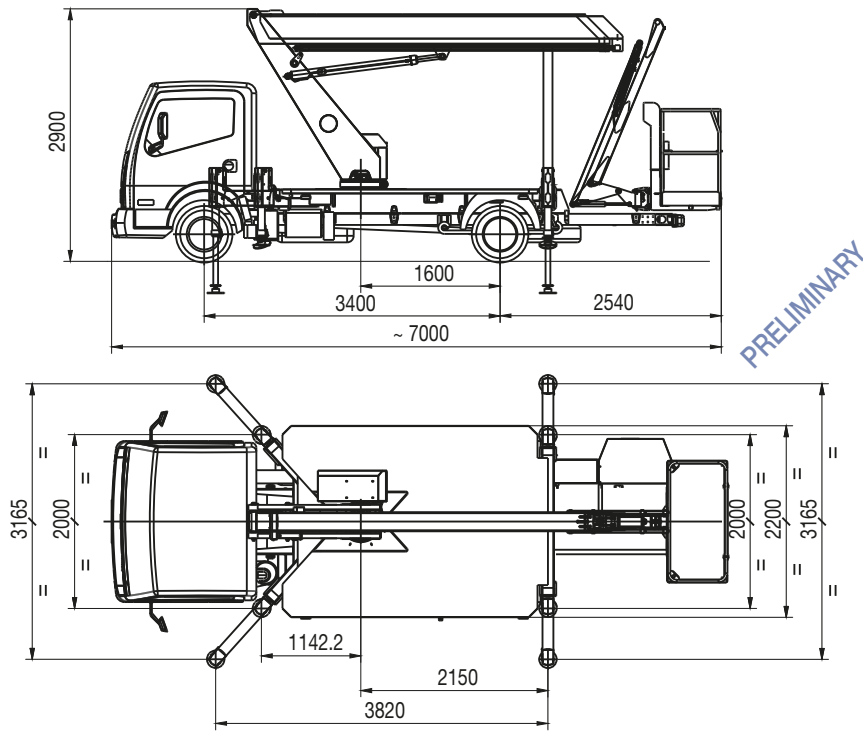
Scorpion 2112 J



OIL & STEEL
AERIAL PLATFORMS



Scorpion 2112 J



SPECIFICATIONS AND PERFORMANCE

Max. working height	21 m	Bucket rotation	90 ° right + 90 ° left
Platform floor height	19 m	Outriggers	H type
Maximum load capacity	230 kg	Machine length	7000 mm
Aluminum bucket dimensions	1400x 700 x 1100 mm	Machine height	2900 mm
Outrigger controls	Electro-hydraulic * (or hydraulics)	Machine width	2200 mm
Bucket controls	Electro-hydraulic	Minimum GVM	3.5 ton
Slewing turret	400 °		

OIL & STEEL
AERIAL PLATFORMS

OIL&STEEL is a company of MANITEX International

SCHULER & SCHULER AG
HEBE- UND TRANSPORTECHNIK
CH-6405 Immensee (SZ) contact@schuler-schuler.ch
Telefon +41 41 854 7000 Telefax +41 41 854 7001
www.schuler-schuler.ch

Technical data may be updated without notice and may be subject to tolerances.