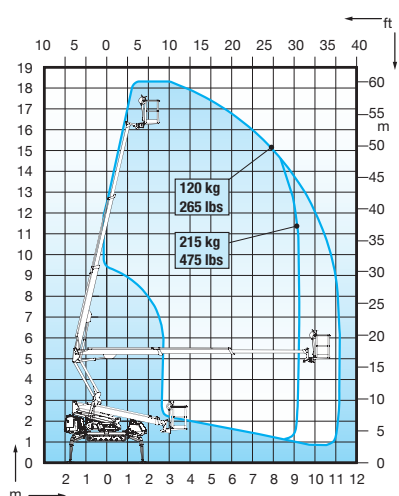


## DINO Self propellers



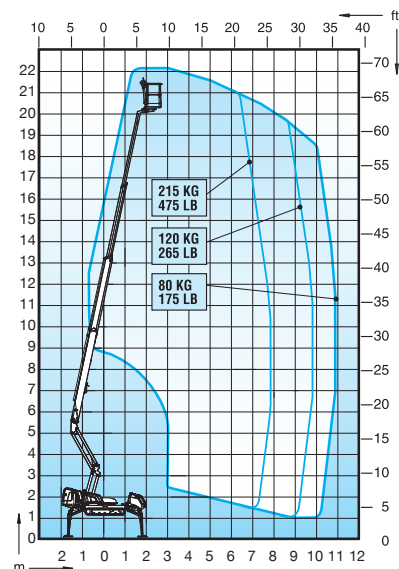
### DINO 185XTC II



Max. working height	18.50 m	60 ft 8 in
Max. platform height	16.50 m	54 ft 2 in
Max. outreach	11.20 m	36 ft 9 in
Support width	3.54/3.95 m	11 ft 7 in/12 ft 12 in
Lifting capacity	215 kg	475 lb
Basket size	0.7 x 1.3 m	2 ft 4 in/4 ft 3 in
Boom rotation	cont.	cont.
Basket rotation	180°	180°
Boom control	proport.	proport.
Transport length	5.93 m	19 ft 6 in
Transport width	1.40/1.18 m	4 ft 7 in/3 ft 10 in
Transport height	1.98 m	6 ft 6 in
Weight	2860 kg	6305 lb
AC socket in the basket x 2	std	std
Diesel engine		
Kubota 173 kW	std	std
Length of tracks	1.93 m	6 ft 4 in
Gradeability	43 %	43 %
Max. levelling inclination	16°	16°
Drive speed	1.4/2.4 km/h	0.9/1.5 mph
Radio control	option	option
Automatic levelling	option	option
Electro motor	option	option



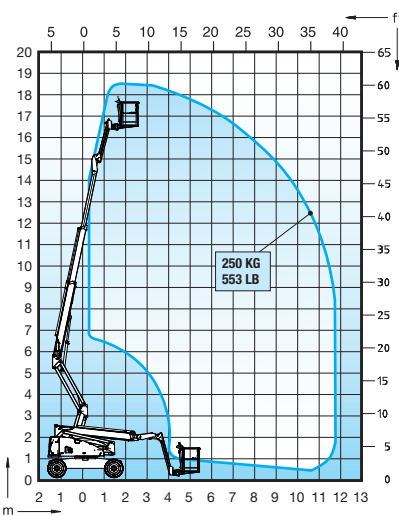
### DINO 220XTC II



Max. working height	22.10 m	72 ft 6 in
Max. platform height	20.10 m	65 ft 11 in
Max. outreach	11.00 m	36 ft 1 in
Support width	3.54/3.95 m	11 ft 7 in/12 ft 12 in
Lifting capacity	215 kg	475 lb
Basket size	0.7 x 1.3 m	2 ft 4 in/4 ft 3 in
Boom rotation	cont.	cont.
Basket rotation	180°	180°
Boom control	proport.	proport.
Transport length	6.30 m	20 ft 8 in
Transport width	1.40/1.18 m	4 ft 7 in/3 ft 10 in
Transport height	1.98 m	6 ft 6 in
Weight	3060 kg	6745 lb
AC socket in the basket x 2	std	std
Diesel engine		
Kubota 173 kW	std	std
Length of tracks	1.93 m	6 ft 4 in
Gradeability	43 %	43 %
Max. levelling inclination	16°	16°
Drive speed	1.4/2.4 km/h	0.9/1.5 mph
Radio control	option	option
Automatic levelling	option	option
Electro motor	option	option



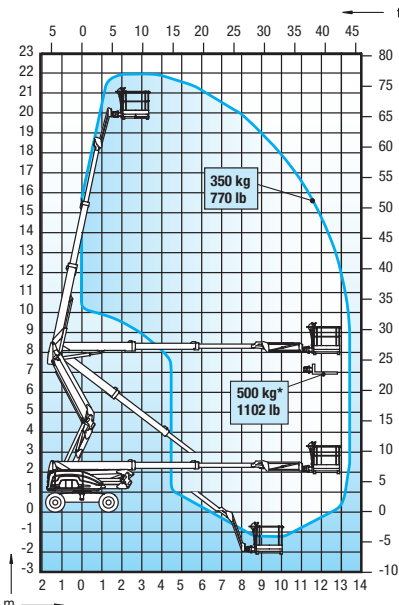
### DINO 185XTS



Max. working height	18.50 m	60 ft 8 in
Max. platform height	16.50 m	54 ft 2 in
Max. outreach	11.70 m	38 ft 5 in
Lifting capacity	250 kg	550 lb
Basket size	0.8 x 1.8 m	2 ft 7 in/5 ft 11 in
Boom rotation	cont.	cont.
Basket rotation	180°	180°
Boom control	proport.	proport.
Jib	1.6 m/±75°	5 ft 3 in/±75°
Transport length	7.17 m	23 ft 6 in
Min. transport length	5.27 m	17 ft 4 in
Transport width	2.29 m	7 ft 6 in
Transport height	2.56 m	8 ft 5 in
Weight	8000 kg	17640 lb
Four wheel drive	std	std
Steering	2WS	2WS
AC socket in the basket x 2	std	std
Diesel engine	std	std
Generator 3.5 kW	option	option
Gradeability	45 %	45 %
Drive speed	6.0/1.0 km/h	3.8/0.62 mph



### DINO 220XSE



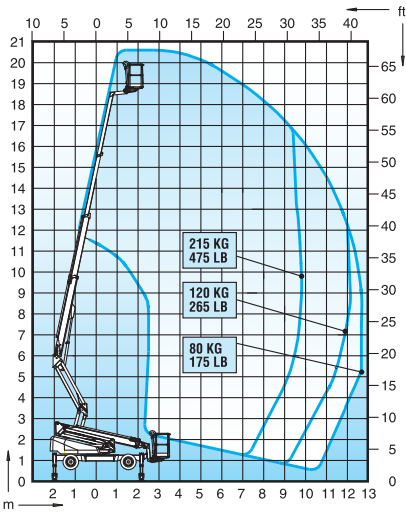
Max. working height	21.95 m	72 ft 1 in
Max. outreach	13.40 m	43 ft 12 in
Lifting capacity	350/500 kg	770/ 1102 lb
Basket size	1.3 x 2.4 m	4 ft 3 in x 7 ft 10 in
Boom rotation	cont.	cont.
Basket rotation	180°	180°
Jib	1.6 m/150°	5 ft 3 in/150°
Transport length *	8.15 m	26 ft 9 in
Transport width	2.55 m	7 ft 8 in
basket detached	2.33 m	7 ft 7 in
Transport height	2.56 m	8 ft 5 in
Up and over	8.45 m	27 ft 9 in
Weight *	11900 kg	26230 lb
Diesel engine	Deutz 36.3 kW	Deutz 36.3 kW
Max. levelling inclination	5°	5°
Gradeability (4WD)	40 %	40 %
Drive speed	6.0/1.0 km/h	3.7/0.6 mph
Ground clearance	0.43 m	1 ft 5 in
Wheelbase	2.67 m	8 ft 9 in
Outside turning radius 2WS	5.50 m	18 ft
Tailswing	0.60 m	1 ft 12 in
Tyres	355/55D625	355/55D625
Hydraulic outriggers	option	option
R/C control	option	option
Boom construction	Articulated, telescopic boom with jib	
Other information	100% differential lock + limited slip	



\*)basket mounted on forks.

\*) with std specification

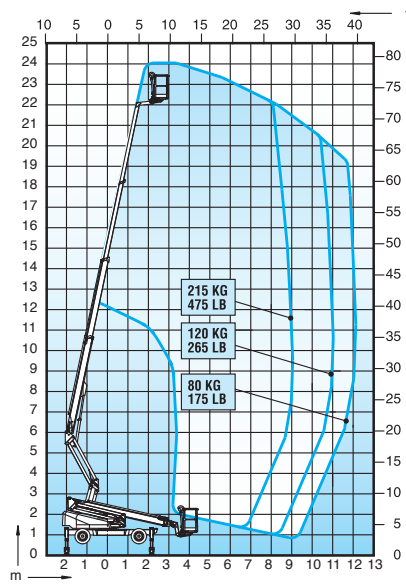
## DINO 205RXT



Max. working height	20.50 m	67 ft 5 in
Max. platform height	18.50 m	60 ft 10 in
Max. outreach	12.60 m	41 ft 5 in
Support width	4.0/4.4 m	13 ft 1 in/14 ft 5 in
Lifting capacity	215 kg	475 lb
Basket size	0.70 x 1.30 m	2 ft 4 in/4 ft 3 in
Boom rotation	cont.	cont.
Basket rotation	90°	90°
Boom control	proport.	proport.
Transport length	5.85 m	19 ft 2 in
Transport width	1.99 m	6 ft 6 in
Transport height	2.29 m	7 ft 6 in
Weight	4200 kg	9260 lb
Four wheel drive	std	std
Steering, 2WS/4WS/Crab	std	std
AC socket in the basket x 2	std	std
Diesel power pack, Kubota 18.5 kW	std,	std
Electro motor	option	option
Automatic levelling	option	option
Gradeability	35 %	35 %
Drive speed	4.7/1.5 km/h	2.9/0.93 mph



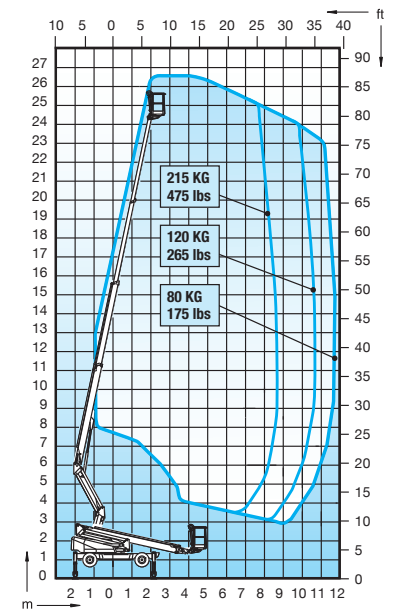
## DINO 240RXT



Max. working height	24.00 m	78 ft 10 in
Max. platform height	22.00 m	72 ft
Max. outreach	12.10 m	39 ft 10 in
Support width	4.0/4.4 m	13 ft 1 in/14 ft 5 in
Lifting capacity	215 kg	475 lb
Basket size	0.70 x 1.30 m	2 ft 4 in/4 ft 3 in
Boom rotation	cont.	cont.
Basket rotation	90°	90°
Boom control	proport.	proport.
Transport length	6.65 m	21 ft 10 in
Transport width	1.99 m	6 ft 6 in
Transport height	2.27 m	7 ft 5 in
Weight	4420 kg	9744 lb
Four wheel drive	std	std
Steering, 2WS/4WS/Crab	std	std
AC socket in the basket x 2	std	std
Diesel power pack, Kubota 18.5 kW	std	std
Electro motor	option	option
Automatic levelling	option	option
Gradeability	35 %	35 %
Drive speed	4.7/1.5 km/h	2.9/0.93 mph



## DINO 265RXT



Max. working height	26.50 m	86 ft 11 in
Max. platform height	24.50 m	80 ft 5 in
Max. outreach	11.70 m	38 ft 5 in
Support width	4.0/4.4 m	13 ft 1 in/14 ft 5 in
Lifting capacity	215 kg	475 lb
Basket size	0.70 x 1.30 m	2 ft 4 in/4 ft 3 in
Boom rotation	cont.	cont.
Basket rotation	90°	90°
Boom control	proport.	proport.
Transport length	7.17 m	23 ft 6 in
Transport width	2.11 m	6 ft 11 in
Transport height	2.41 m	7 ft 11 in
Weight	4500 kg	9920 lb
Four wheel drive	std	std
Steering, 2WS/4WS/Crab	std	std
AC socket in the basket x 2	std	std
Diesel power pack, Kubota 18.5 kW	std	std
Electro motor	option	option
Automatic levelling	option	option
Gradeability	35 %	35 %
Drive speed	4.7/1.5 km/h	2.9/0.93 mph



## DT 3500L

### DT 3500L trailer

Weight	410 kg
Length	6.20 m
Width	2.07 m
Payload	3050 kg



**DINOLIFT**  
Up to the Job

Dinolift Oy ist ein finnisches Unternehmen, das auf die Fertigung und Marketing hochwertiger Hubarbeitsbühnen spezialisiert ist. DINO-Hubarbeitsbühnen sind für Ihre hohe Qualität, Sicherheit und Zuverlässigkeit bekannt. Die DINO-Arbeitsbühnen werden weltweit in über 40 Ländern verkauft, 75% von der Produktion wird exportiert. Die hauptsächlichen Märkte des Unternehmens sind in Skandinavien und in Nordeuropa.

Technische Änderungen vorbehalten.



**SCHULER & SCHULER AG**  
HEBE- UND TRANSPORTTECHNIK  
CH-6405 Immensee (SZ) contact@schuler-schuler.ch  
Telefon +41 41 854 7000 Telefax +41 41 854 7001  
www.schuler-schuler.ch