

DINOLift
Up to the Job



DINO® TRAILERS

DINO **TN Series**

- Working height 12 m
- Telescopic boom
- Narrow, min. width only 0.90 m

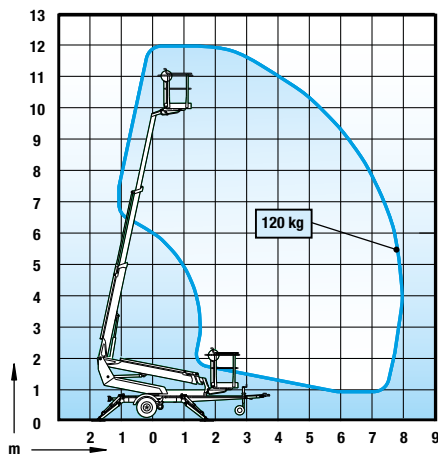
DINO 120TN

Standard features in DINO 120TN

- Special axle and outriggers; easy and fast to make narrow (pictures 1 - 3, 6)
- Min. width only 0.90 m
- Stable to tow; transport width 1.53 m
- Powerful driving system, easy to move at worksite (picture 4)
- Suitable for indoor and outdoor applications (picture 5)
- Outrigger support indicator (picture 6)
- 1-person steel basket
- Compact; transport length only 5.5 m
- Simple, easy to use and maintain
- Light-weight, robust, cost effective



Technical data



Max. working height	12.00 m
Max. platform height	10.00 m
Max. outreach	7.90 m
Support width	3.15 / 3.55 m
Lifting capacity	120 kg
Basket size	0.75 x 0.80 m
Boom rotation	cont.
Boom control	2-speed
Transport length	5.52 m
Transport width	1.53 m
Min. width	0.90 m
Transport height	2.05 m
Weight	1355 kg
Driving system	std
AC socket in the basket x 2	std
Electro motor	std
Gradeability	25 %

